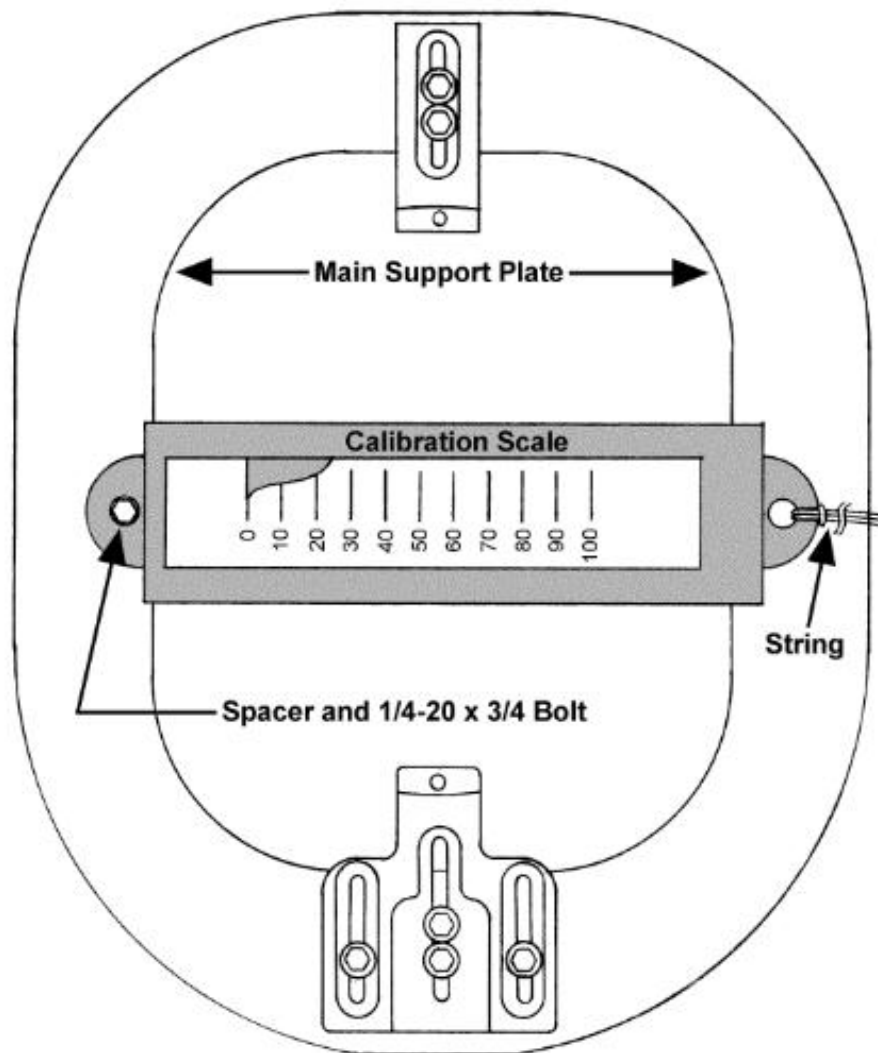


True-Tension Stringing Machines



**Calibration Scale shown mounted on the Turret Assembly
Main Support Plate to Check Tensioning Assembly Calibration**